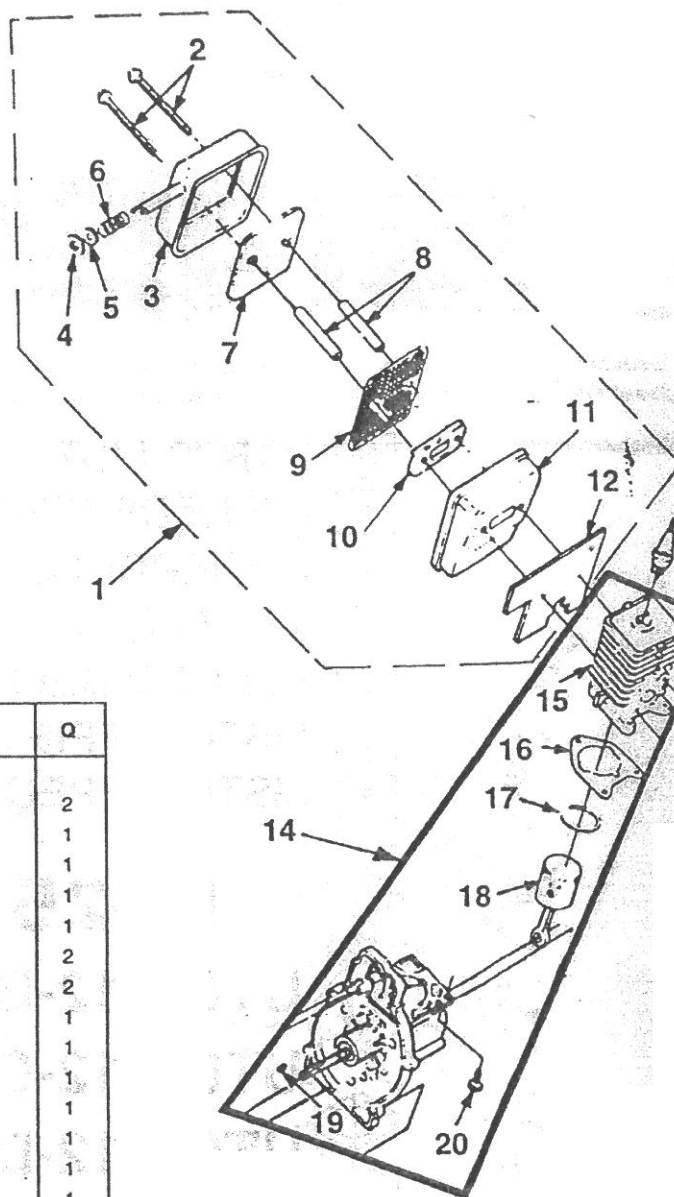


1

Soffiatore UT08012F



N	P/N	D	Q
1	• A-04859	MUFFLER KIT (1-11)	
2	88060	SCREW-Sems Hex Hd. (10-24 x 2 1/2")	2
3	A-00366	COVER-Muffler	1
4	00381	WASHER-Insulating	1
5	84117	WASHER-Flat (3/8")	1
6	00387	SPRING-Compression	1
7	00777	DEFLECTOR-Muffler	2
8	04785	SPACER-Muffler	2
9	00388-B	SCREEN-Spark Arrestor	1
10	98783	PLATE-Reinforcing	1
11	04710	BODY-Muffler	1
12	00394-B	GASKET-Muffler	1
13	79252	SPARK PLUG (RDJ-7Y)	1
14	• A-04988	SHORT BLOCK (Re-Power)	1
15	• A-04723	CYLINDER & GASKET	1
16	04388	GASKET-Cylinder	1
17	• A-04258	PISTON & ROD	1
18	96935	RING-Piston	1
19	69250	KEY-Woodruff	1
20	82569-1	SCREW-Thread Form. (10-24 x 3/4)	3

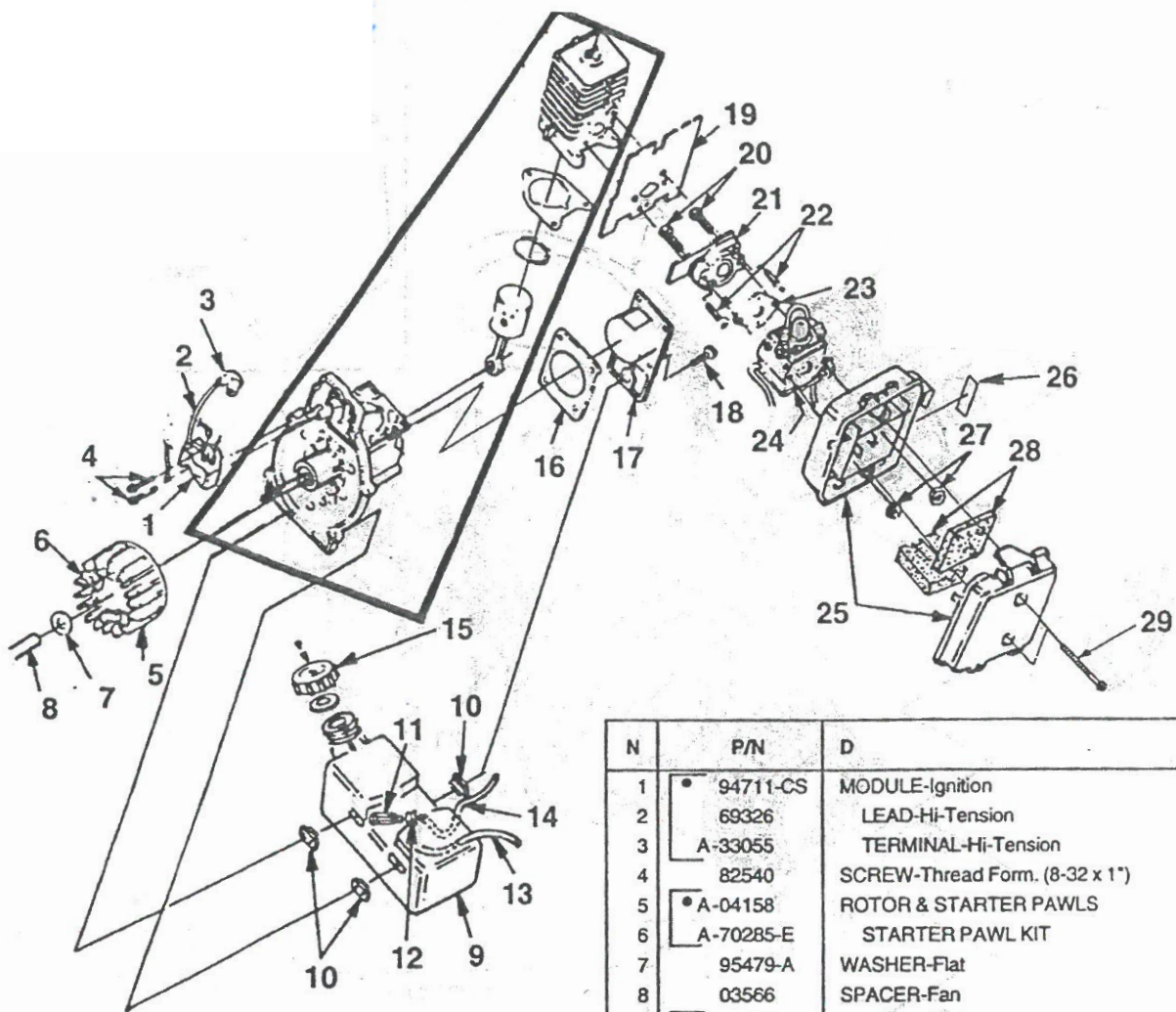
No.
N°.
NR.
NR.
N°
No.
N°.

Part No.
Piece N°
Stuknummer
Teil Nr.
Pezzo N°
No de pieza
N° da peça

Description — D

Qty.
Quantité
Aantal
Menge
Quantità
Cantidad
Quantidade

Assembly
Ensembles
Assemblages
Bausätze
Complessi
Conjuntos
Conjuntos



N	P/N	D	Q
1	94711-CS	MODULE-Ignition	1
2	69326	LEAD-Hi-Tension	1
3	A-33055	TERMINAL-Hi-Tension	1
4	82540	SCREW-Thread Form. (8-32 x 1")	2
5	A-04158	ROTOR & STARTER PAWLS	1
6	A-70285-E	STARTER PAWL KIT	1
7	95479-A	WASHER-Flat	1
8	03566	SPACER-Fan	1
9	A-04447	FUEL TANK	1
10	98792	BUMPER-Rubber	3
11	49422	FILTER-Fuel	1
12	98268	CLAMP-Wire	1
13	01439-32	TUBING-Rubber (8")	1
14	94772-32	TUBING-Rubber (8")	1
15	A-00982-B	FUEL CAP	1
16	98767-A	GASKET-Crankcase Cover	1
17	98754-B	COVER-Crankcase	1
18	82538	SCREW-(#10-24 x 3/4") Thread Forming	4
19	00775-A	GASKET-Heat Dam	1
20	81208	NUT (10-24)	2
21	98768	HEAT DAM	1
22	04474	SCREW-(10-24 x 1") Thread Forming	2
23	98766-1	GASKET-Carburetor	1
24	A-00378-C	CARBURETOR (Walbro)	1
	A-00382-C	CARBURETOR (Zama)	1
25	A-06755	AIR FILTER ASSEMBLY	1
26	00772	DECAL-Choke-Run	1
27	82536	SCREW-Machine (10-24 x 2 1/4")	2
28	A-06756	AIR FILTER	1
29	82536	SCREW, Thread Forming	2

No.
N°.
NR.
NR.
N°.
No.
N°.

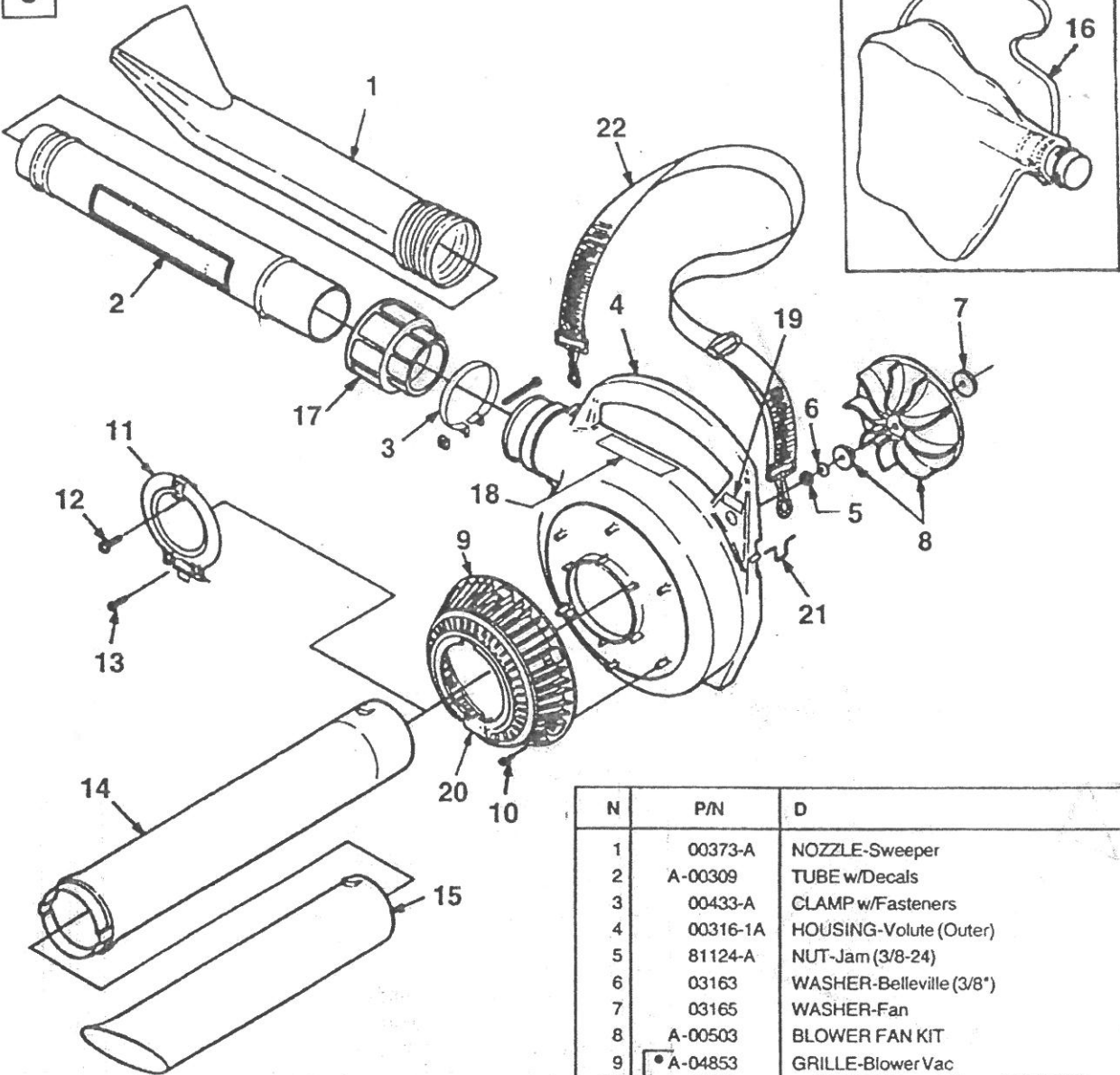
Part No.
Piece N°
Stuknummer
Teil Nr.
Pezzo N°
No de pieza
N° da peça

Description — D

Qty.
Quantité
Aantal
Menge
Quantita
Cantidad
Quantidade

Assembly
Ensembles
Assemblages
Bausätze
Complessi
Conjuntos
Conjuntos

3



N	P/N	D	Q
1	00373-A	NOZZLE-Sweeper	1
2	A-00309	TUBE w/Decals	1
3	00433-A	CLAMP w/Fasteners	1
4	00316-1A	HOUSING-Volute (Outer)	1
5	81124-A	NUT-Jam (3/8-24)	1
6	03163	WASHER-Belleville (3/8")	1
7	03165	WASHER-Fan	2
8	A-00503	BLOWER FAN KIT	1
9	A-04853	GRILLE-Blower Vac	1
10	82528	SCREW-Thread Form. (#6 X 3/4")	6
11	A-04854	COVER-Access	1
12	82312	SCREW-Thread Rolling (#10 X 5/8")	1
13	82376	SCREW-Thread Forming	1
14	00363-A	TUBE-Inner	1
15	00363-1A	TUBE-Outer	1
16	A-02900-A	TUBE & BAG KIT	1
17	00909	RETAINER	1
18	02916-A	WARNING-Decal	1
19	03548	DECAL-Throttle	1
20	03555	DECAL-Safety	1
21	00398	LOOP-Wire	1
22	DA-98138-B	STRAP-Shoulder	1

No.
N°.
NR.
NR.
N°.
No.
N°.

N

Part No.
Piece N°
Stuknummer
Teil Nr.
Pezzo N°
No de pieza
N° da peça

PN

Description

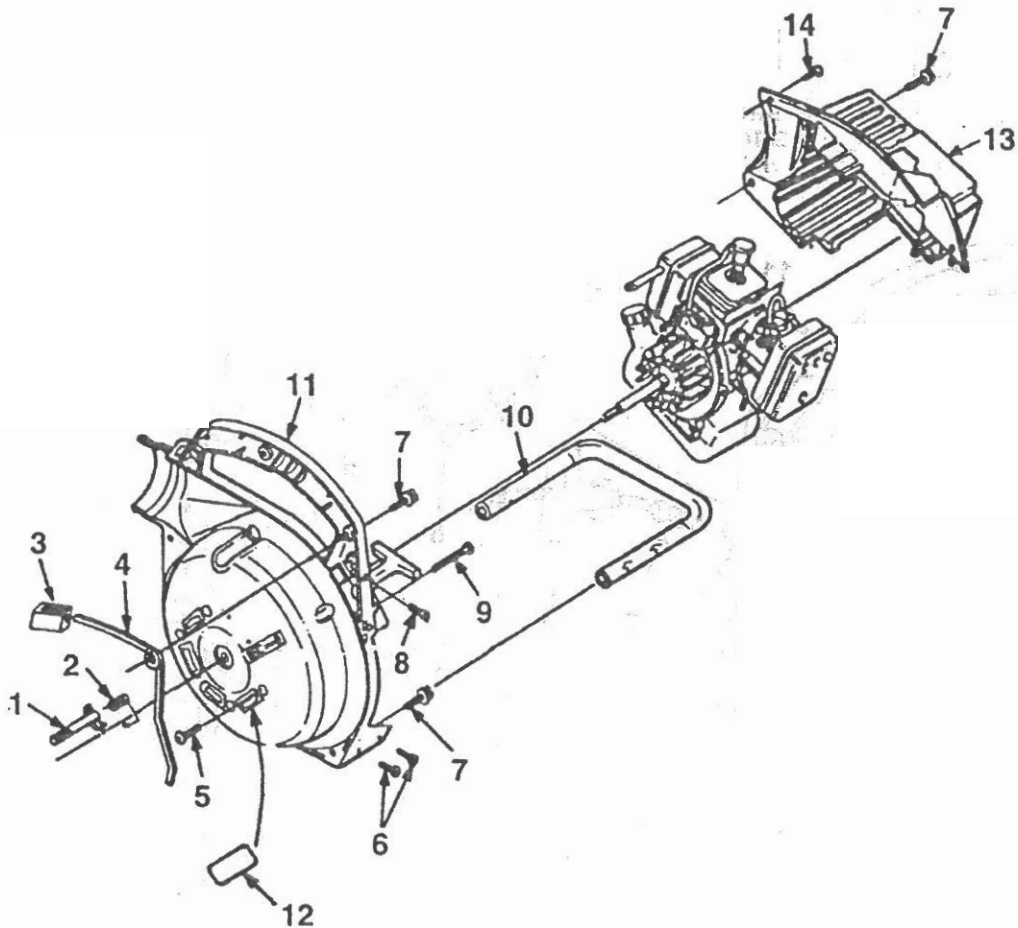
D

Qty.
Quantité
Aantal
Menge
Quantità
Cantidad
Quantidade

Q

Assembly
Ensembles
Assemblages
Baüsätze
Complèssi
Conjuntos
Conjuntos

Q



N	P/N	D	Q
1	00368-A	LATCH-Throttle	1
2	00370	SPRING-Throttle Latch	1
3	00367	TRIGGER-Throttle	1
4	00369-A	LEVER-Throttle	1
5	82538	SCREW-Thread Form. (10-24 X 3/4")	4
6	82348-A	SCREW-Tapping Pan (#8 X 1/2")	4
7	82563	SCREW-Thread Form. (#10 X 3/4")	6
8	82146	SCREW-Fil. Hd. (#8-32 X 5/8")	1
9	J A-41690-3	SCREW-Thread Form. (#10 X 1 5/8")	1
10	00393	HANDLE-Lower	1
11	• A-01630	HOUSING-Volute (Inner)	1
12	A-00813-B	KIT-Sealing	1
13	00321-1	SHROUD-Flocked	1
14	82376	SCREW-Thread Forming	3

No.
N°.
NR.
NR.
N°.
No.
N°.

N

Part No.
Piece N°
Stuknummer
Teil Nr.
Pezzo N°
No de pieza
N° da peça

PN

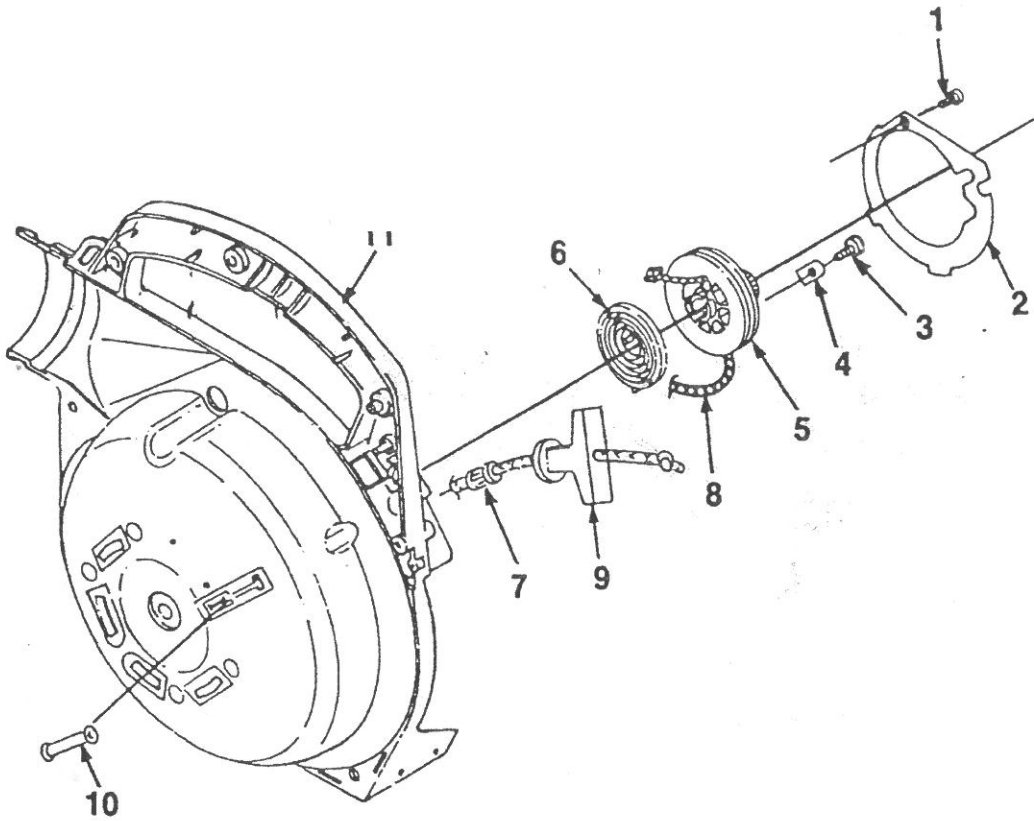
Description D

Qty.
Quantité
Aantal
Menge
Cantidad
Cantidad
Quantidade

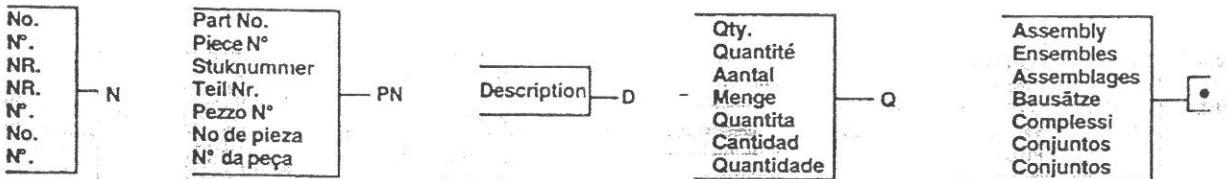
Q

Assembly
Ensembles
Assemblages
Bausätze
Complissi
Conjuntos
Conjuntos

Q

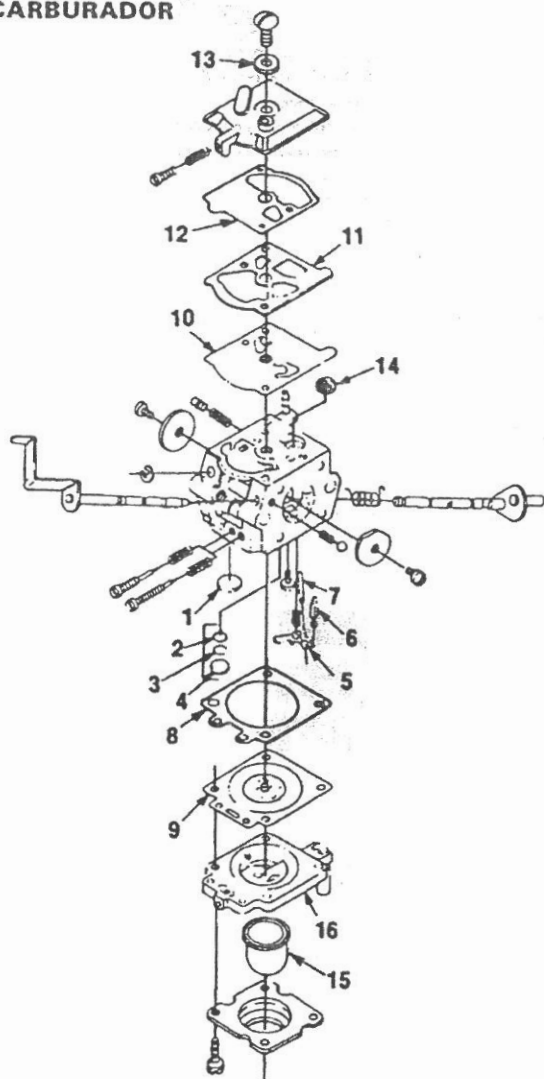


N	PN	D	Q
1	82528	SCREW-Thread Form. (#6 X 3/8")	1
2	00374	PLATE-Rotor	1
3	82541	SCREW-Thread Form. (10 X 1/2")	1
4	98791	BRACKET-Retaining	1
5	98770-A	PULLEY-Starter	1
6	A-98773-A	SPRING & CONTAINER	1
7	96981-1A	BUSHING-Starter	1
8	97899-01	ROPE-Starter	1
9	02264	GRIP-Starter Rope	1
10	00364-B	BUSHING-Starter Rope	1
11	A-01630	HOUSING-Volute (Inner)	1



6

**CARBURETOR
CARBURATEUR
CARBURATEUR
VERGASER
CARBURATORE
CARBURADORE
CARBURADOR**



REPAIR KIT- (1-14) A-03920

Jeu de réparation
Reparatieset
Reparatursatz
Kit per riparazioni
Juego de reparación
Jogo de reparaçao

PRIMER BASE- (16) A-01199-A

Base d'amorçage
Voorinspuit-sokkel
Vorpumpen-Sockel
Base del cicchetto
Base de cebador
Base da unidade de escorvagem

GASKET/DIAPHRAGM KIT- (8-13) A-00285-A

Jeu joint/diaphragme
Pakking/membraan set
Dichtung/Membrane-Satz
Kit diagramma/guarnizione
Conjunto junta/diafragma
Jogo de juntas vedantas/diafragmas

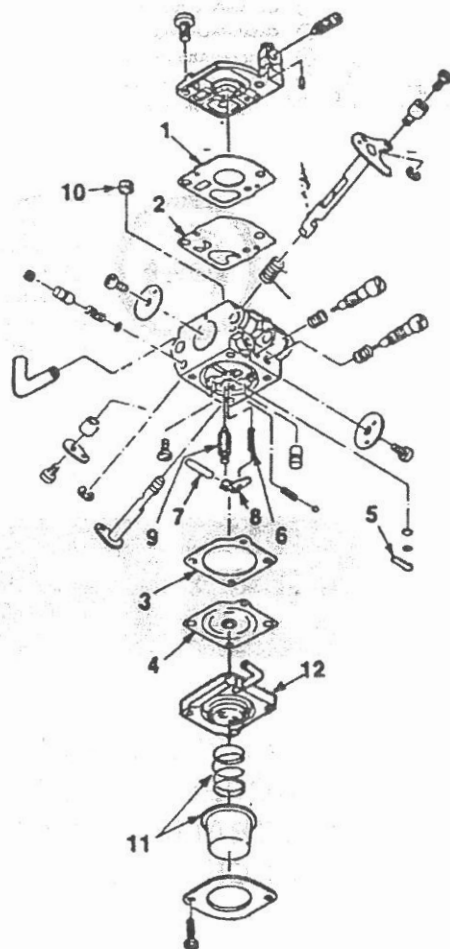
PRIMER BULB- (15) 01201

Bouton d'amorçage
Voorinspuitpomp
Vorpumpe
Cicchetto
Bulbo cebador
Bolha da unidade de escorvagem

**WALBRO
(WT-212)
A-00378-C**

7

**CARBURETOR
CARBURATEUR
CARBURATEUR
VERGASER
CARBURATORE
CARBURADORE
CARBURADOR**



REPAIR KIT- (1-10) A-03979

Jeu de réparation
Reparatieset
Reparatursatz
Kit per riparazioni
Juego de reparación
Jogo de reparaçao

PRIMER BULB- (11) A-01195-A

Bouton d'amorçage
Voorinspuitpomp
Vorpumpe
Cicchetto
Bulbo cebador
Bolha da unidade de escorvagem

GASKET/DIAPHRAGM KIT- (1-4) A-03980

Jeu joint/diaphragme
Pakking/membraan set
Dichtung/Membrane-Satz
Kit diagramma/guarnizione
Conjunto junta/diafragma
Jogo de juntas vedantas/diafragmas

PRIMER BASE- (12) A-02846

Base d'amorçage
Voorinspuit-sokkel
Vorpumpen-Sockel
Base del cicchetto
Base de cebador
Base da unidade de escorvagem

**ZAMA
(C1U-H11D)
A-00382-C**